



WECHAT



WEB

Welcome to **HEARKEN**

Actuators and Controls

**Hearken
Here We
Can**

The Trusted, Passionate and focused Partner in Valve Automation

At HEARKEN FLOW, The founding principle of Hearnkenflow is simple: to Listen our customers needs first, to develop the innovative valve actuators solutions , to meet the unique needs of our customers, Along the way, To help our customers to solve the problems in Valve Automation. We are growing our brand in Pneumatic and Electric Actuators, Accessories..



Experienced team



Large inventory



Convenient consultation



IP68



WHY WE ARE DIFFERENT

We offer a complete valve automation solution by the applications experience and customization capabilities, with an experienced support team to guide you in selection, installation, and project support. In addition we maintain an extensive supply of product inventory on hand so that we can quickly fulfill orders and reduce wait times. Our sales and support staff are readily available and accessible so that customers get the answers they need quickly.

THE TARGET WE ARE PURSUING



High-quality



low cost



Reliable solution

- To built A strong Reputation in Providing Quality, Cost Effective , Reliable And Robust Performance Solutions for Valve Automation,
- Included Pneumatic Actuators, Electrically Actuators, Actuated Valves.



COMMITMENT TO QUALITY

At HEARKEN FLOW means performance, All products manufactured by HEARKEN FLOW are warranted against defects in material and workmanship for a period of 18 months from the day of startup. Each of our products are tested at the factory. we are confident that our products meet or exceed all applicable standards before they ever leave our facility. We are an ISO 9001-2008 certified company. Our Valve Actuators Has Applied for SIL3 Certificate, ATEX Certificate ,CE, Explosion-proof Certificate, IP68 Weather proof etc....

HMT Series Multi-Turn Electric Actuator

Description

- HMT series electric valve actuators are a new generation of products that our company has improved the structure, optimized protection performance and key components based on the original mature products, and completely developed independently. It has compact structure, small size, beautiful appearance, and stable and reliable performance, and other advantages. The good protection level can meet the needs of a variety of designs: explosion-proof type, integral switch type and integral regulation type.
- The HMT series is used to control the open and close of valves. It is applicable to gate valves, globe valves, shut-off valves, diaphragm valves, and its derivative products can be applied to ball valves, butterfly valves and dampers, etc. It can accurately operate according to control commands, which is essential driving device for remote control, centralized control and automatic control of valves.
- The performance of this product complies with the provisions of JB/T8528-1997 (Technical Conditions for Ordinary Electric Valve Actuator). The performance of explosion-proof type product shall be in accordance with the provisions of GB3836.1-2000 (Electrical Equipment for Explosive Gas Atmosphere Part 1: General Requirements), GB3836.2-2000 (Electrical Equipment for Explosive Gas Atmosphere Part 2: Explosion-proof "d") and JB/T8529-1997 (Technical Conditions for Explosion-Proof Electric Valve Actuator).

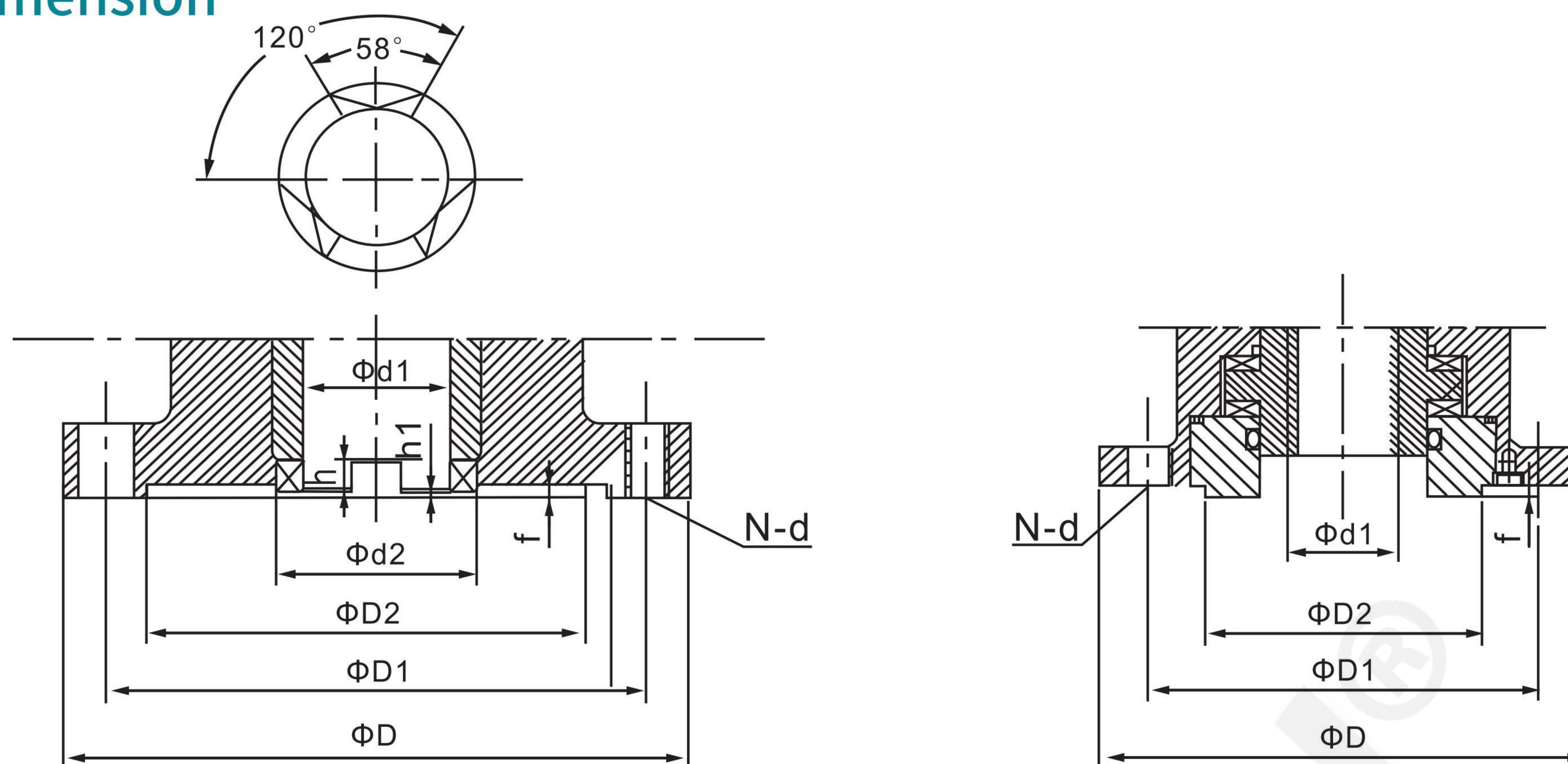


Performance Parameter Table

Model	Output Torque (N.m)	Output Speed (R/Min)	Motor Power (KW)	Rated Current (A)	Manual Speed Ratio (I)	Maximum Stem Diameter (mm)	Reference Weight (Kg)	Remarks
HMT005	50	24	0.12	0.6	1:60	28	20	
HMT010	100	24	0.18	1	1:60	28	20	
HMT015	150	24	0.25	1.2	1:60	28	20	
HMT020	200	24	0.37	1.38	1:60	40	26	
HMT030	300	24	0.55	2.7	1:60	40	26	
HMT045	450	24	1.1	4	1:60	48	110	
HMT060	600	24	1.5	4.12	1:60	48	120	
HMT090	900	24	2.2	5.25	1:60	60	139	
HMT120	1200	24	3	7.9	1:60	60	142	
HMT180	1800	24	4	8.87	1:60	70	250	
HMT250	2500	18	5.5	12.05	22.5:1	70	255	
HMT350	3500	18	7.5	15.6	20:1	80	330	
HMT500	5000	18	10	20.5	20:1	80	350	

Note: The above is the regular supply of our company. If you have special requirements, you can contact our company for customization.

Connection Dimension



Torque type connection size (Jb2920)

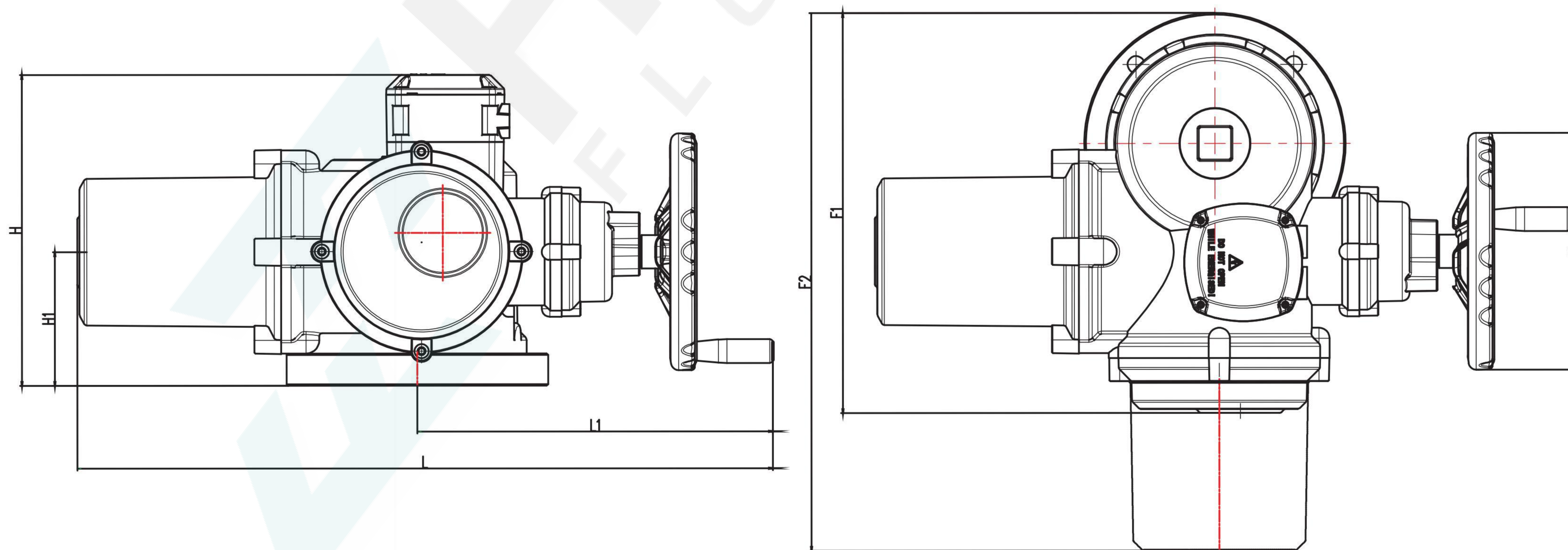
Thrust type connection size (GB/T12222) ISO5210

Parameter Model	Transfer Matrix (Jb2920)										Thrust Type(GB/T1222-2005)						
	Cabin Seat No.	D	D1	D2 H9	d2	d1	h	h1	f	n-d	Flange No.	D	D1	D2 f8	D1 (Max)	n-d	f
HMT010-015	2	145	120	90	45	30	8	2	5	4-M10	F10	125	102	70	Tr28	4-M10	3
	2I	115	95	75	39	26	6	2	4	4-M8							
HMT020-030	3	185	160	125	58	42	10	2	5	4-M12	F14	175	140	100	Tr236	4-M16	4
	3I	145	120	90	45	30	8	2	5	4-M10							
HMT045-060	4	225	195	150	72	50	12	2	5	4-M16	F16	210	165	130	Tr244	4-M20	5
HMT090-120	5	275	235	180	82	62	14	2	5	4-M20	F25	300	254	200	Tr260	8-M16	5
	5I	230	195	150	72	50	12	2	5	4-M16							
HMT180-250	7	330	285	220	98	72	16	3	6	4-φ27	F30	350	298	230	Tr270	8-M20	5
HMT350	8	380	340	280	118	82	20	3	3	8-φ22	F35	415	356	260	Tr280	8-M30	5

Description:

- 1.The I in the frame number indicaes the power station type;
- 2.The diameter of the trapezoidal middle trapezoidal threa is the largest diameter;
- 3.The position of the mounting hole of the connecting plate is symmetrically distributed with the motor axis.

Shape Dimension



Model	L	L1	H	H1	F1 basic type	F2 smart type	φD
HMT005-015	660	370	330	120	280	400	200
HMT020-030	710	380	340	130	300	420	200
HMT045-060	740	390	350	140	330	450	270
HMT090-120	800	400	360	150	380	500	270
HMT180-250	870	565	600	250	740	535	550
HMT350	1170	770	710	280	840	450	570

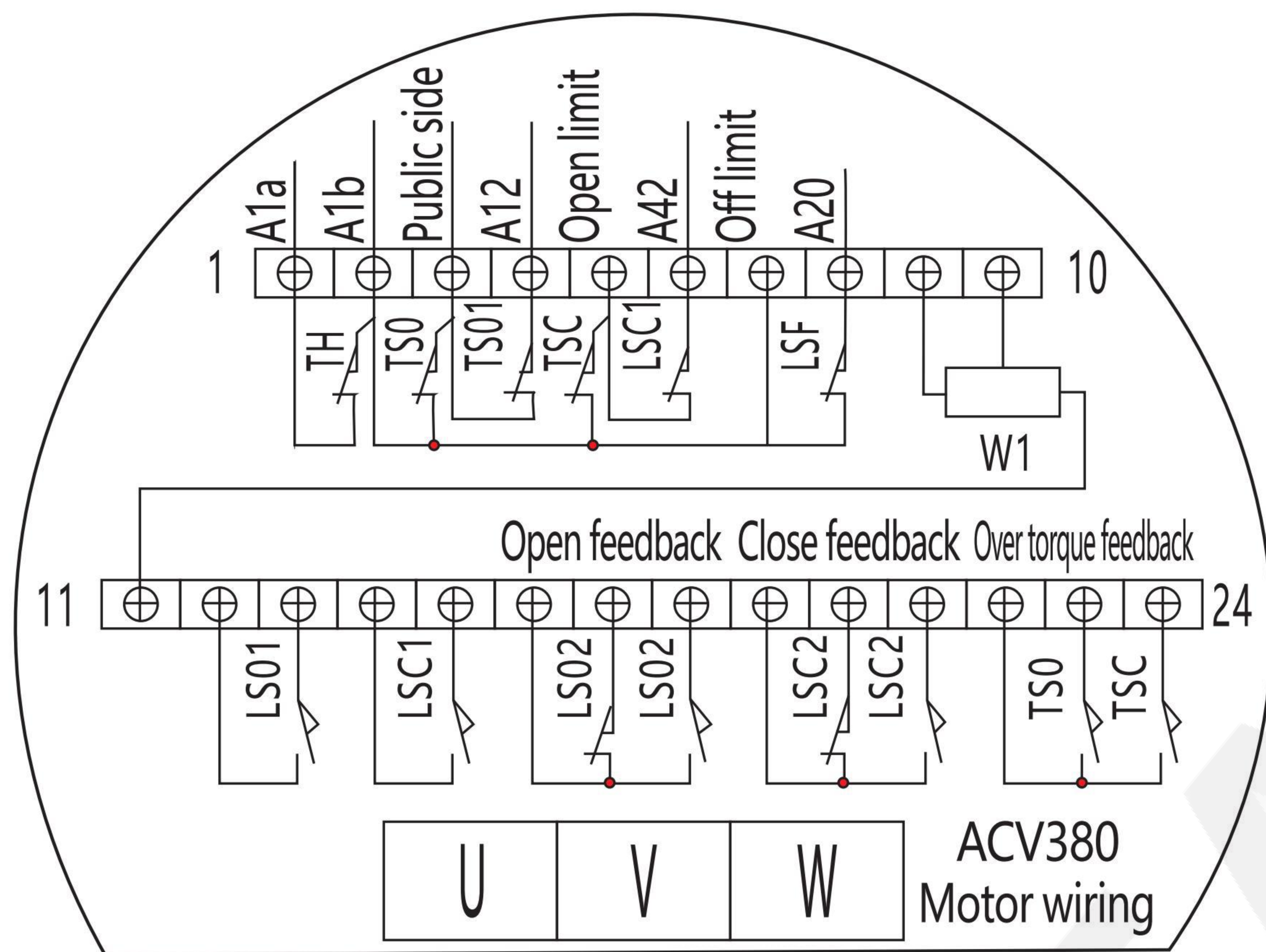
Copyright owership belongs to shall not be reproduced, copied, or used in other ways without permission otherwise we will have the right to pursue legal responsibilities.

As we are continually developing our products, their design is subject to change without notice, Latest information is available on info@hearkenflow.com www.hfvalveactuator.com

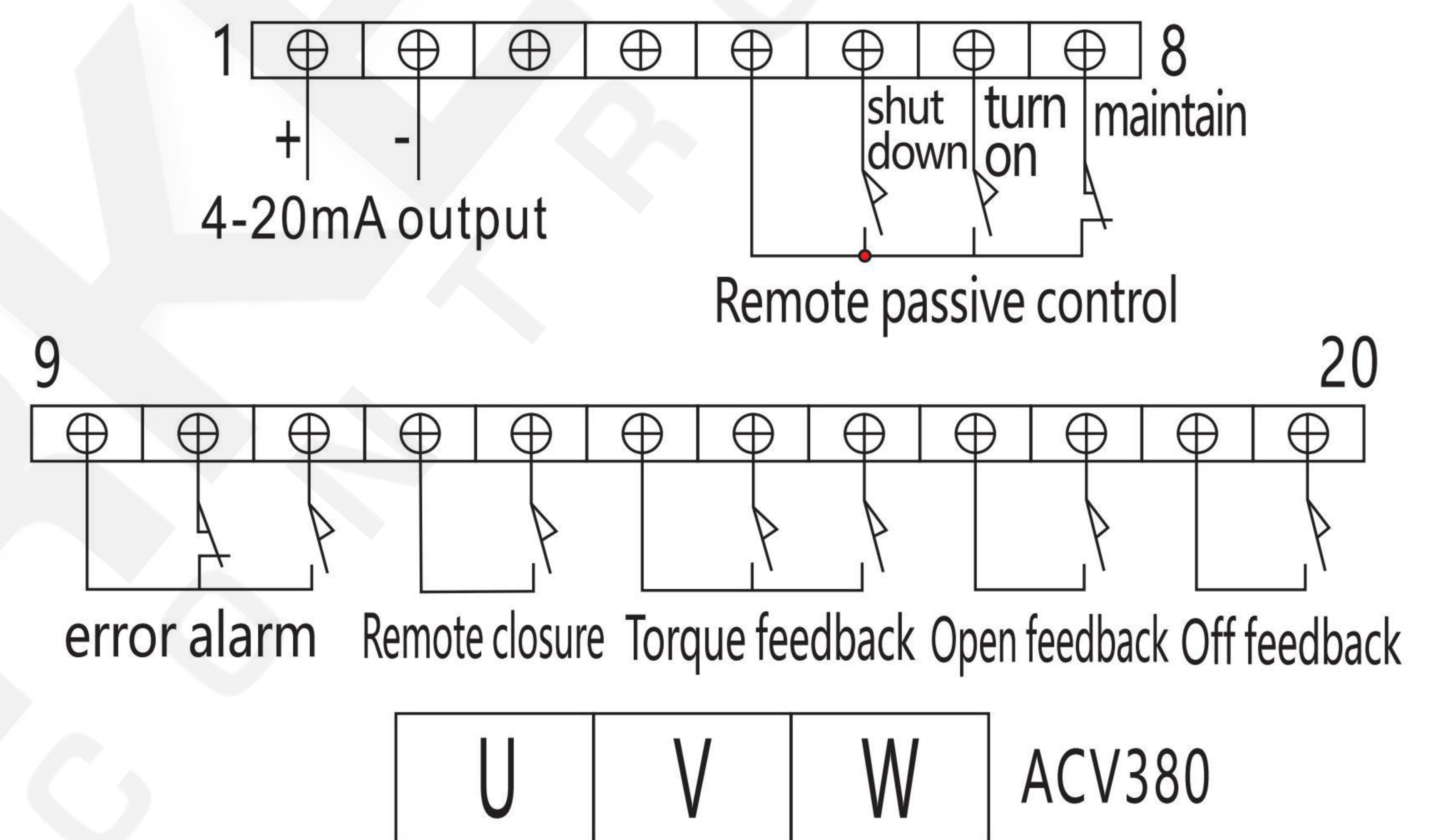
Rev. April 01, 2021

Wiring Diagram

- LSO open limit switch
- LSC off limit switch
- TSO open torque switch
- TSP open torque switch
- TSC turn-off torque switch
- Rp1 Position Potentiometer (1K)
- TH motor overhear protection switch



basic terminal wiring diagram



Overall switch type wiring diagram

The driving mode of the driven device directly determines the transmission form the actuator

The multi turn electric actuator can be installed directly on the driven device or with the tooth.Wheel box matching installation.

In order to meet the needs of various functions,large range of torque and speed should be satisfied.The self locking function is used to keep the valve inplace.

In order to ensure the safety of the user, the actuatoris not able to rotate in the first round.The machine driveis prefer able to the handwheel drive.

For large torque valves,the superimposed XW series planetary gear reducer is used. It is installed with the out ut co axial connection and rotates in the same direction.Connect the installation,turn with the same direction.

Gate valve
Globe valve
Regulating valve, etc.

